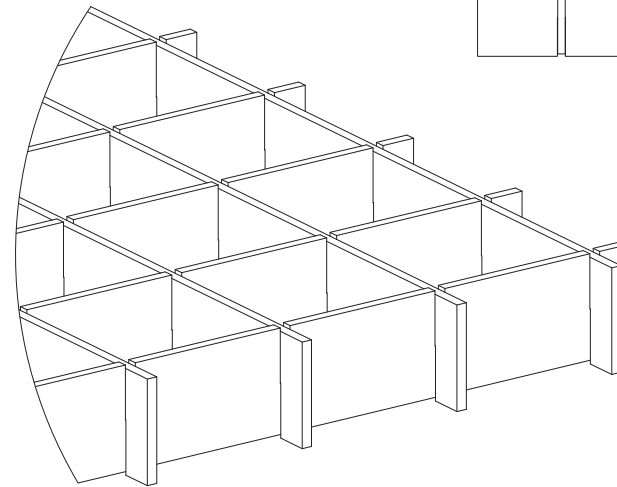
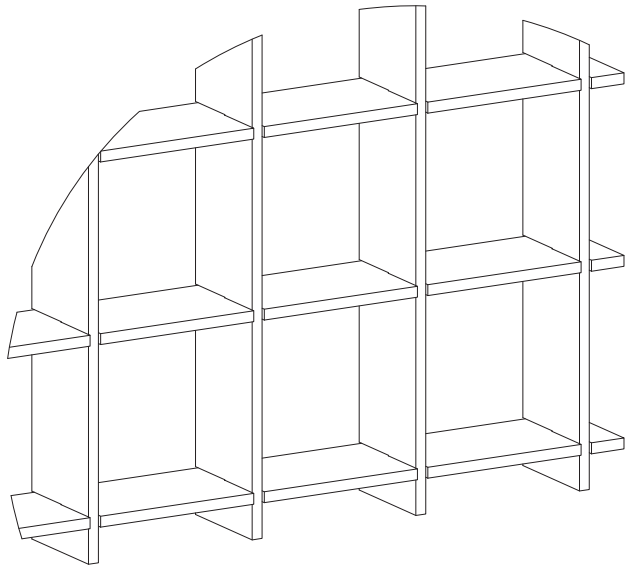
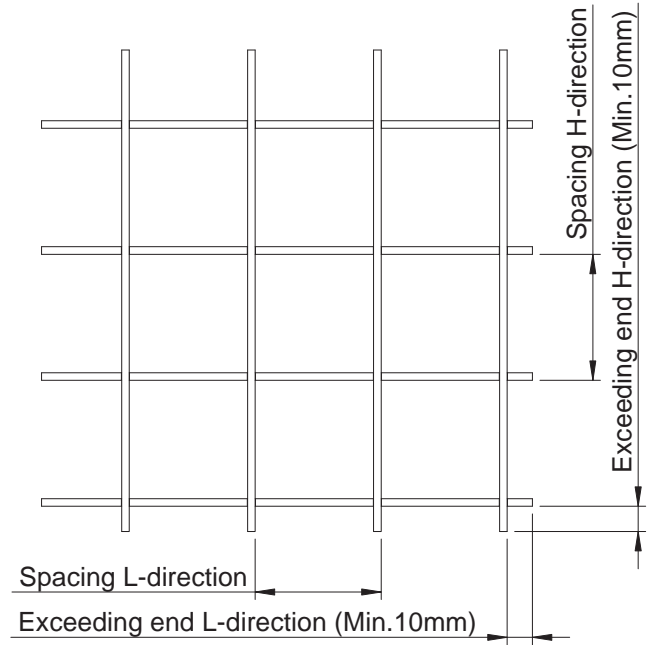
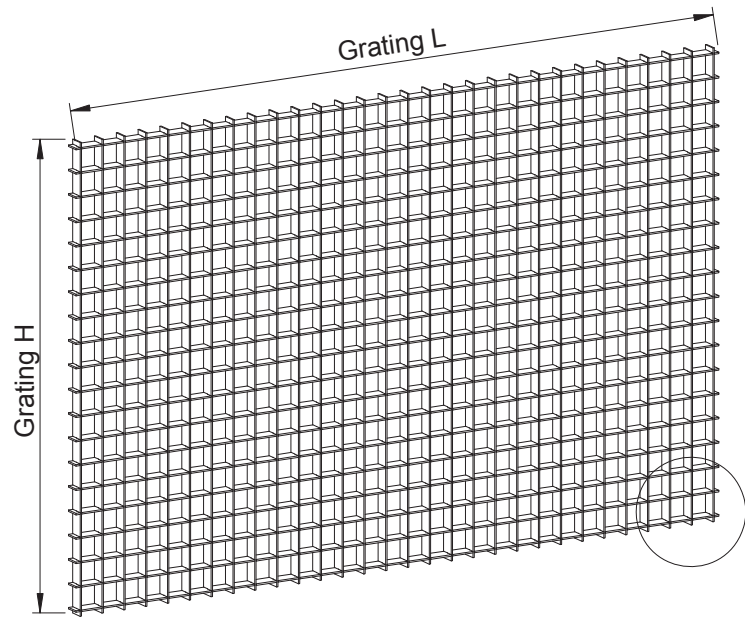



Grating dimensioning:

L-direction max.3000 when H ≤ 1400 otherwise 2400.  
 H-direction max 1400 when L ≥ 2400 otherwise 1600.

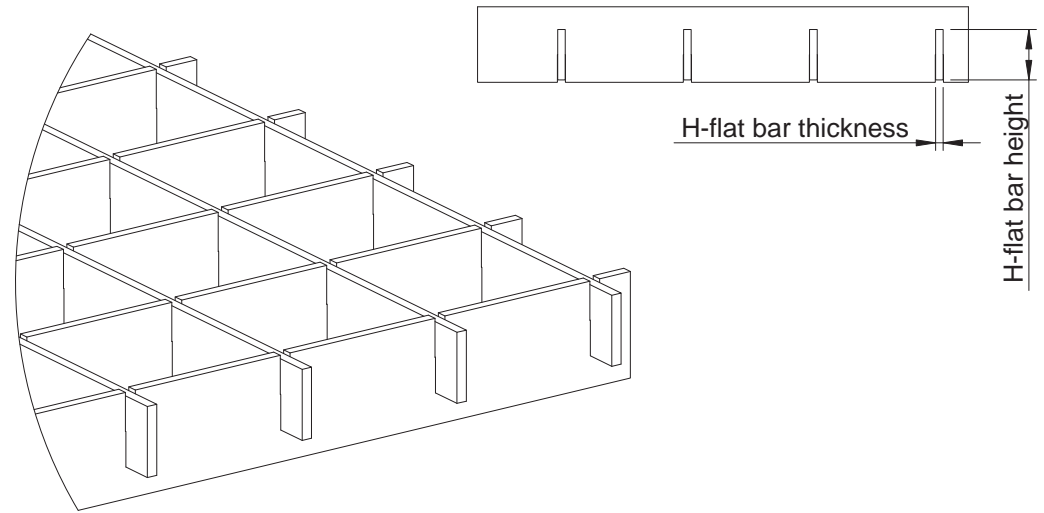
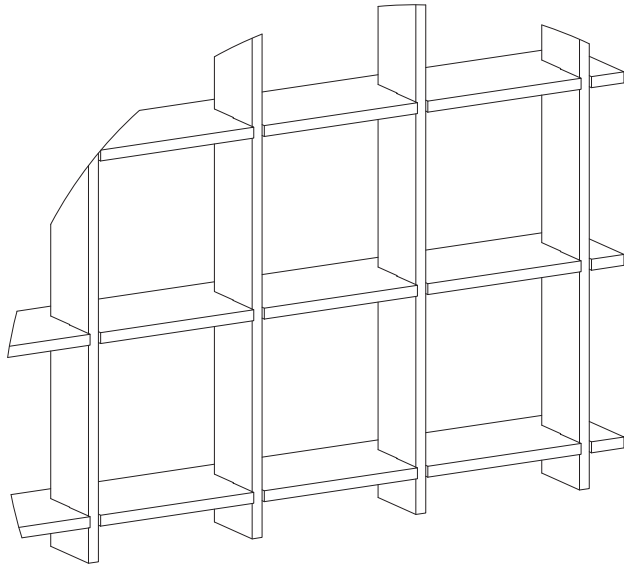
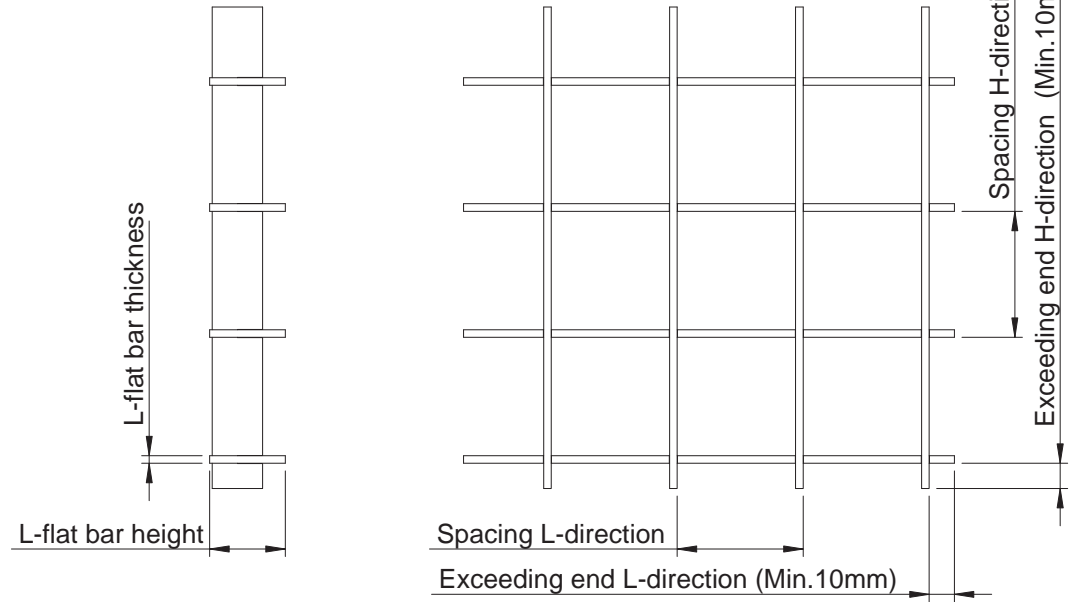
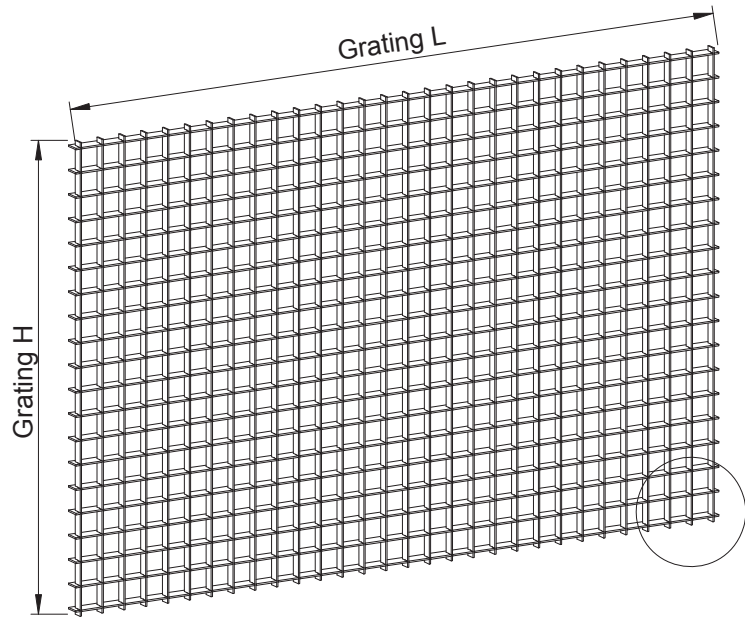


RRAT square grating with cutted ends.  
 Same size flat bars on L and H directions.  
 Spacings:  
 L-direction free variable, Min. 20  
 H-direction standard 20, 25, 30, 40, 50, 60,  
 75, 90 and 120

Standard flat bars:  
 50x3  
 40x3  
 30x3  
 25x3  
 20x3


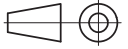
 Pakkaarähti 14 04360 Tuusula Tel.+358 (0)20 7421 700 etunimi.sukunimi@alupro.com www.alupro.com	Mittakaava Scale 1:15 A4	Tuote Product Square grating	Piirtänyt Drawn by HRi
	Nimi Name RRAT cutted	Materiaali Material Aluminium	Pvm. piirretty Date created 30.1.2013

Grating dimensioning:  
 L-direction max.3000 when H ≤ 1400 otherwise 2400.  
 H-direction max 1400 when L ≥ 2400 otherwise 1600.  
 smaller flat bar always max.1600.

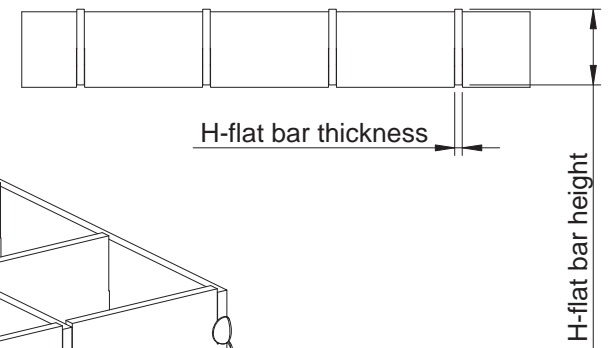
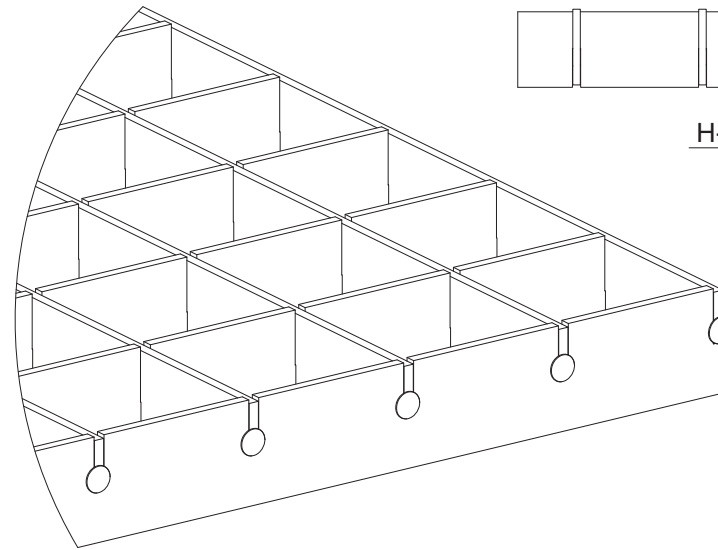
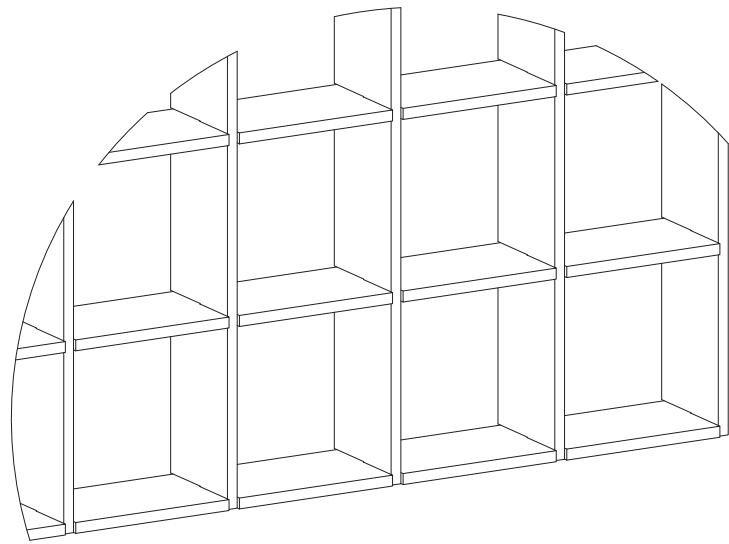
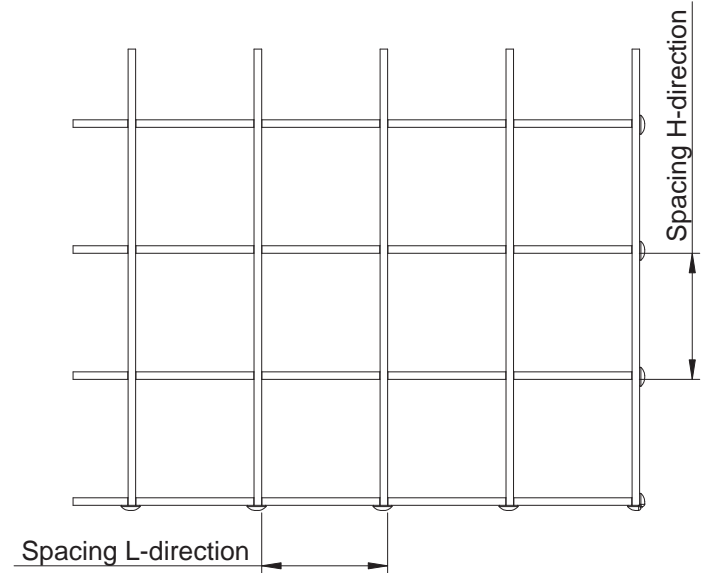
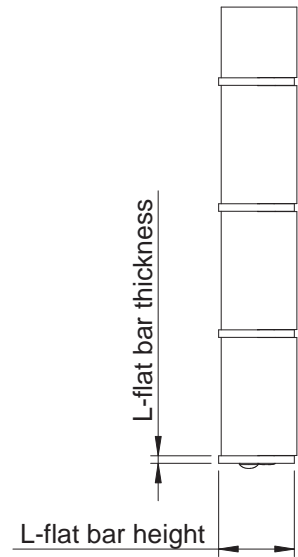
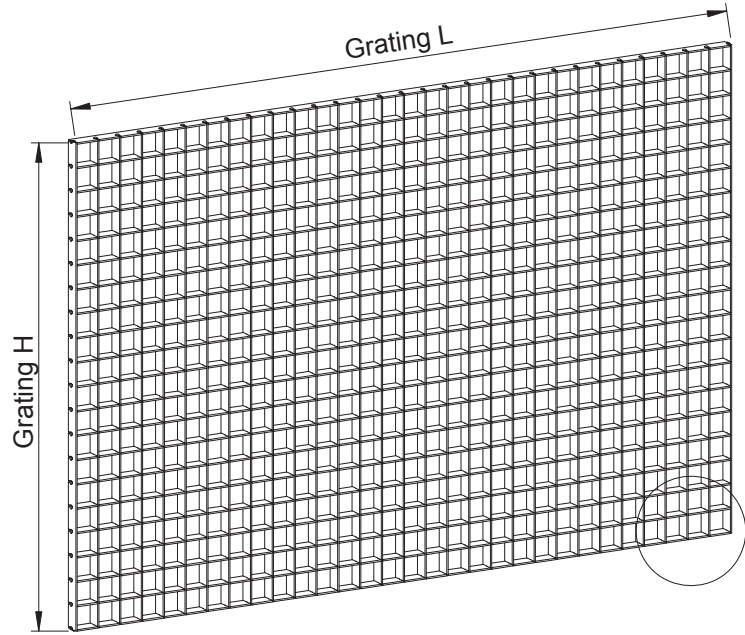


RRAE square grating with cutted ends.  
 Different size flat bars on L and H directions.  
 Spacings:  
 L-direction free variable, Min. 20  
 H-direction standard 20, 25, 30, 40, 50, 60,  
 75, 90 and 120

Standard flat bars:  
 50x3  
 40x3  
 30x3  
 25x3  
 20x3


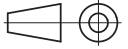
 Pakkaarähti 14 04360 Tuusula Tel.+358 (0)20 7421 700 etunimi.sukunimi@alupro.com www.alupro.com	 Mittakaava Scale 1:15 A4	Tuote Product <b>Square grating</b> Nimi Name RRAE cutted Materiaali Material Aluminium	Piirtänyt Drawn by <b>HRi</b> Pvm. piirretty Date created 30.1.2013 Pintakäsittely Surface finish Powder painting or anodizing

Grating dimensioning:  
 L-direction max.3000 when H ≤ 1400 otherwise 2400.  
 H-direction max 1400 when L ≥ 2400 otherwise 1600.

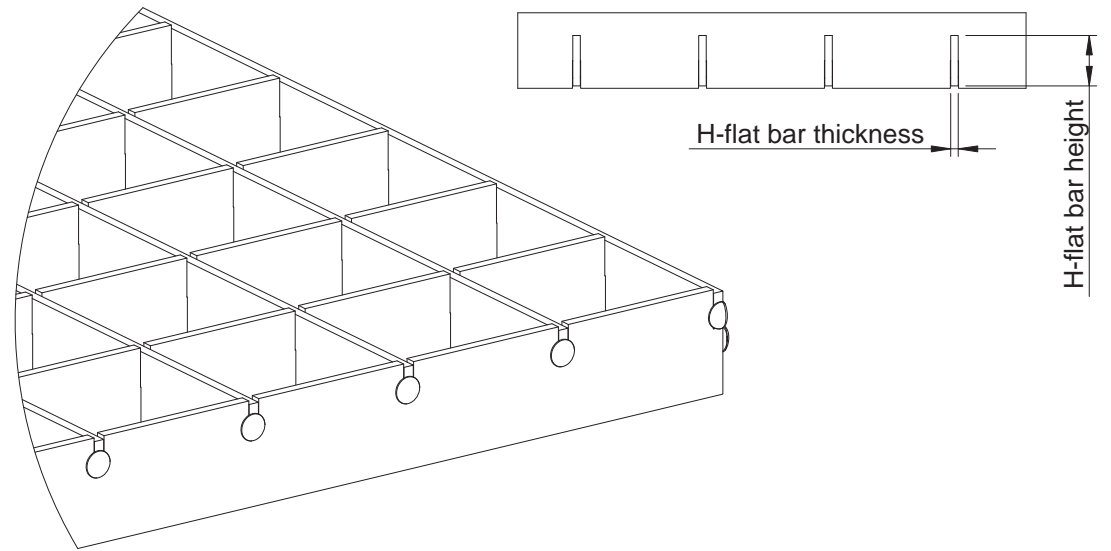
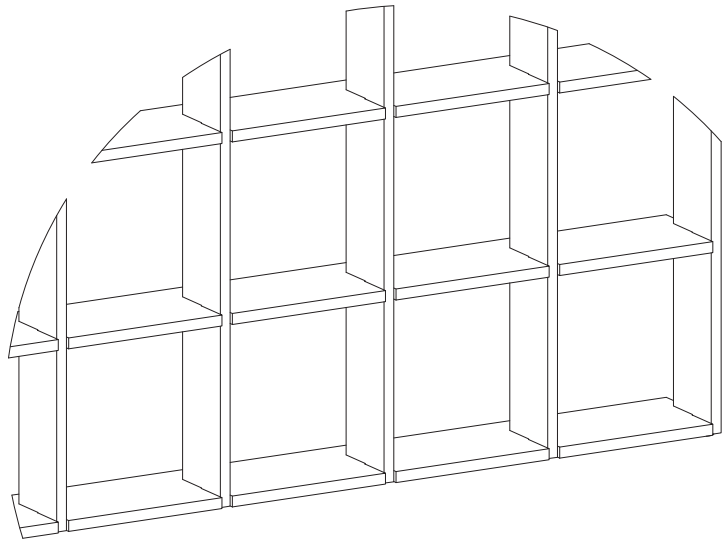
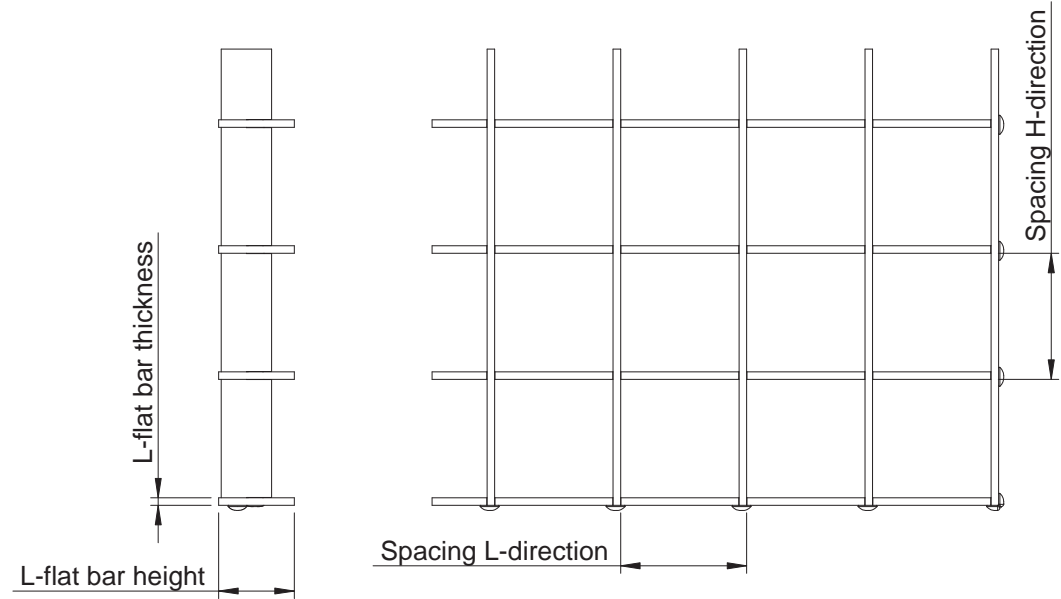
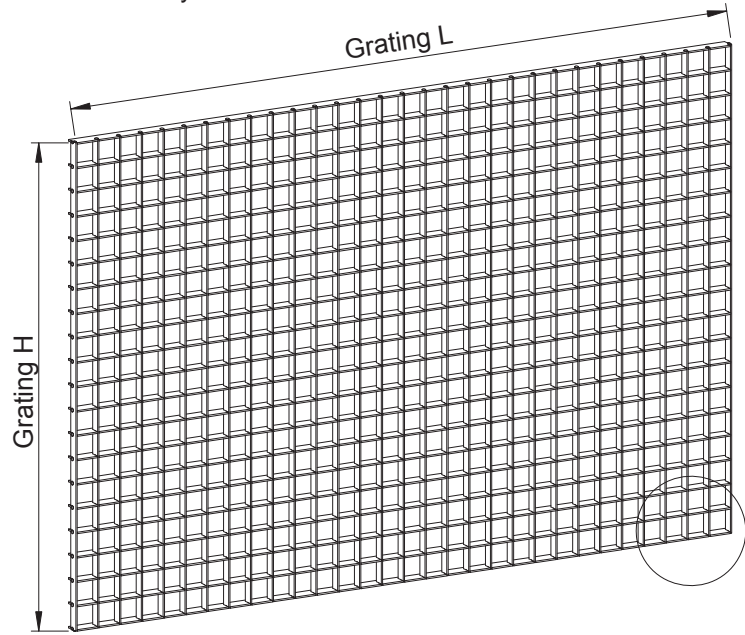


RRAT square grating with welded ends.  
 Same size flat bars on L and H directions.  
 Spacings:  
 L-direction free variable, Min. 20  
 H-direction standard 20, 25, 30, 40, 50, 60,  
 75, 90 and 120

Standard flat bars:  
 50x3  
 40x3  
 30x3  
 25x3  
 20x3


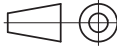
 <small>Pakkasratti 14 04360 Tuusula        Tel. +358 (0)20 7421 700        etunimi.sukunimi@alupro.com        www.alupro.com</small>	 Mittakaava Scale 1:15 A4	Tuote Product <b>Square grating</b> Nimi Name RRAT welded Materiaali Material Aluminium	Piirtänyt Drawn by <b>HRI</b> Pvm. piirretty Date created 30.1.2013 Pintakäsittely Surface finish Powder painting or anodizing

Grating dimensioning:  
 L-direction max.3000 when H ≤ 1400 otherwise 2400.  
 H-direction max 1400 when L ≥ 2400 otherwise 1600.  
 smaller flat bar always max.1600.

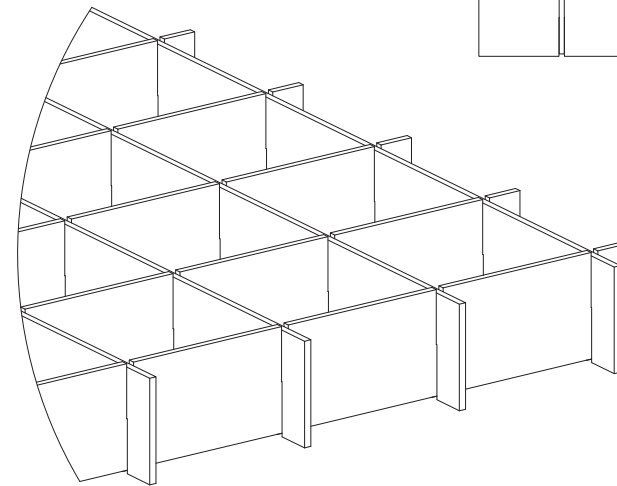
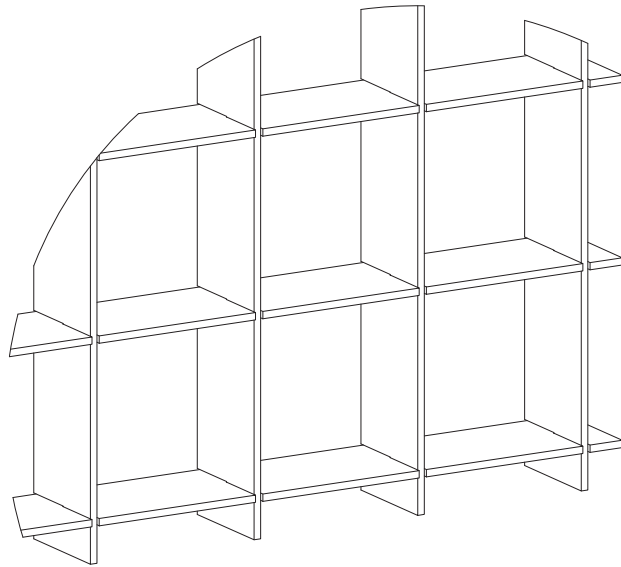
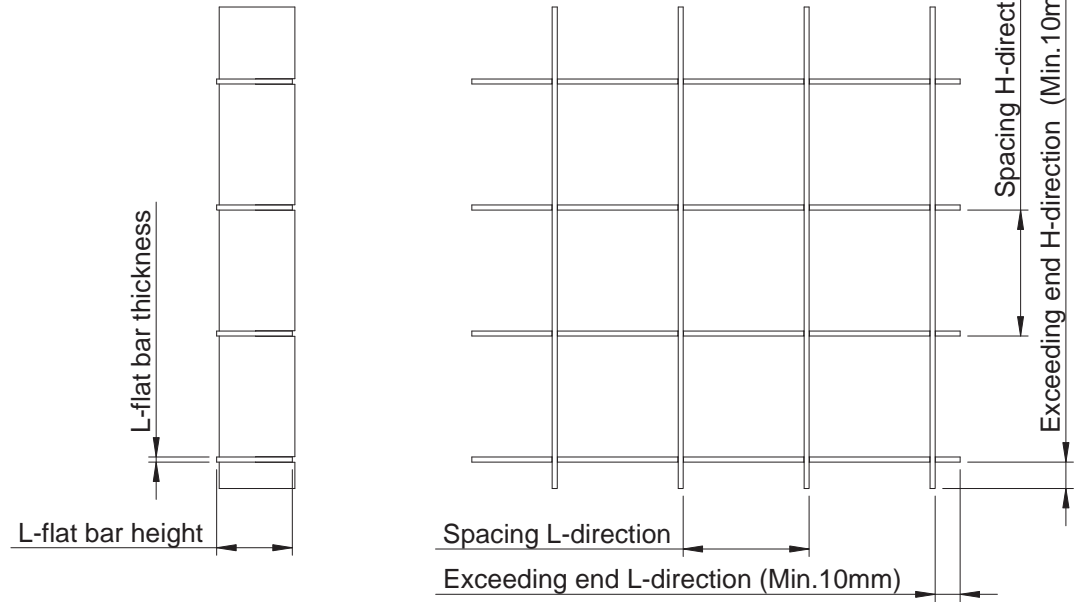
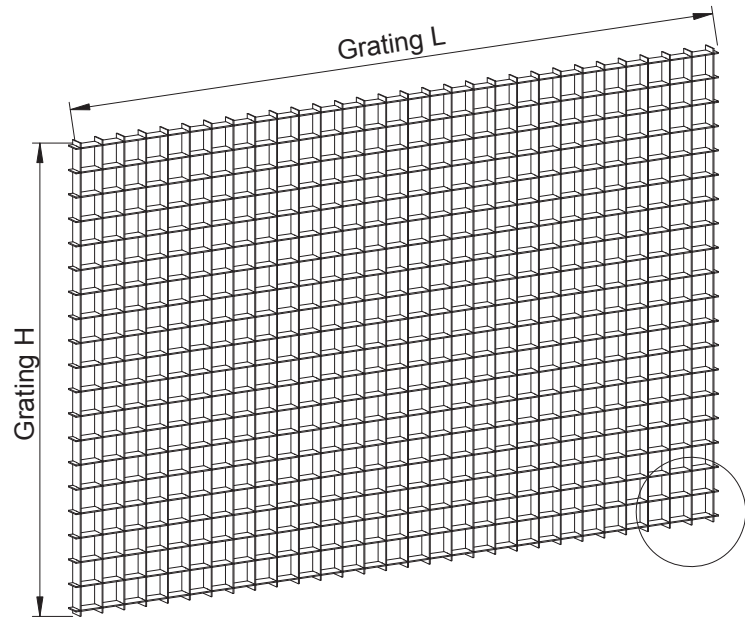


RRAE square grating with welded ends.  
 Different size flat bars on L and H directions.  
 Spacings:  
 L-direction free variable, Min. 20  
 H-direction standard 20, 25, 30, 40, 50, 60,  
 75, 90 and 120

Standard flat bars:  
 50x3  
 40x3  
 30x3  
 25x3  
 20x3


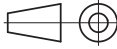
 <small>Pakkasratti 14 04360 Tuusula        Tel.+358 (0)20 7421 700        etunimi.sukunimi@alupro.com        www.alupro.com</small>	 Mittakaava Scale 1:15 A4	Tuote Product <b>Square grating</b>	Piirtänyt Drawn by <b>HRI</b>
	Nimi Name <b>RRAE welded</b>	Materiaali Material <b>Aluminium</b>	Pvm. piirretty Date created <b>30.1.2013</b>

Grating dimensioning:  
 L-direction max.3000 when H ≤ 1400 otherwise 2400.  
 H-direction max 1400 when L ≥ 2400 otherwise 1600.

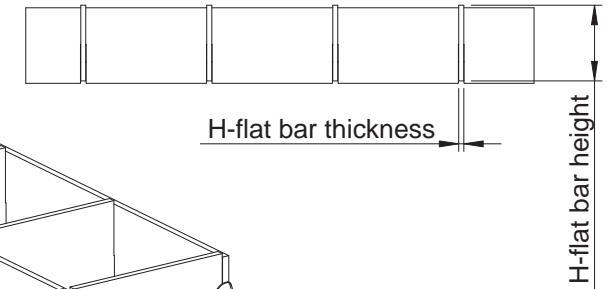
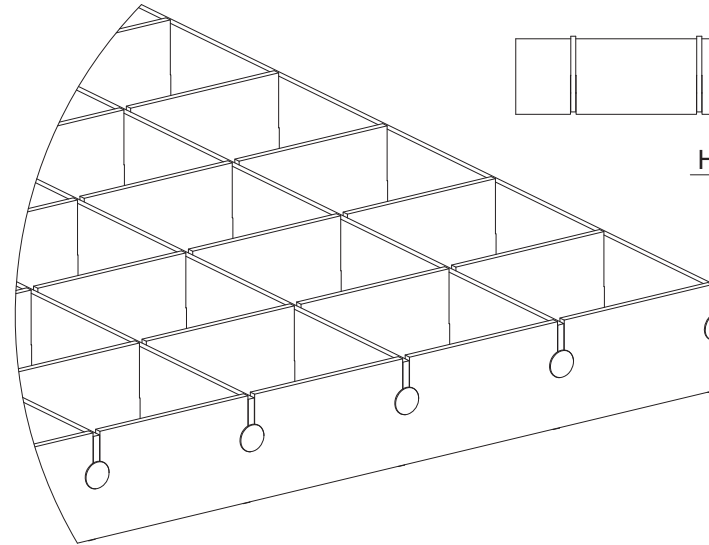
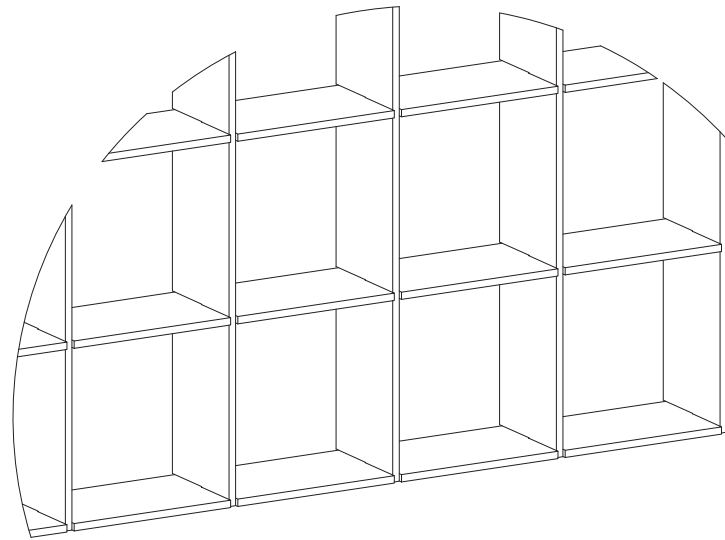
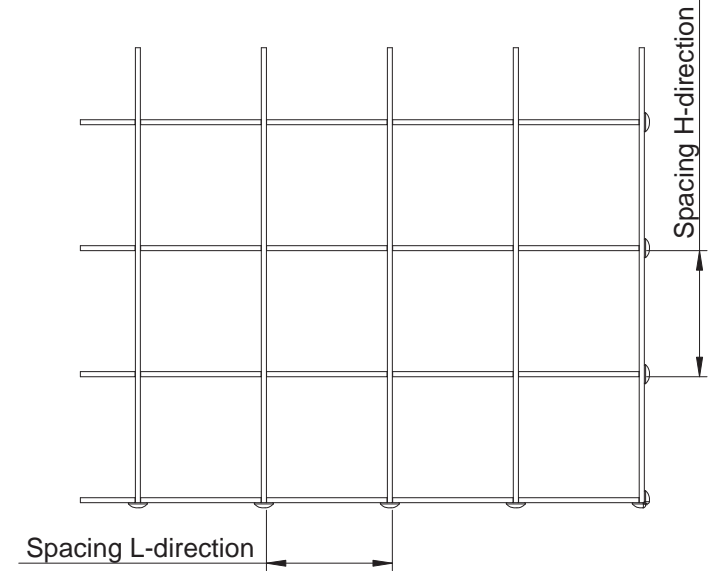
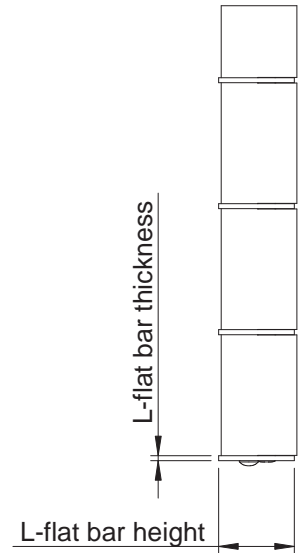
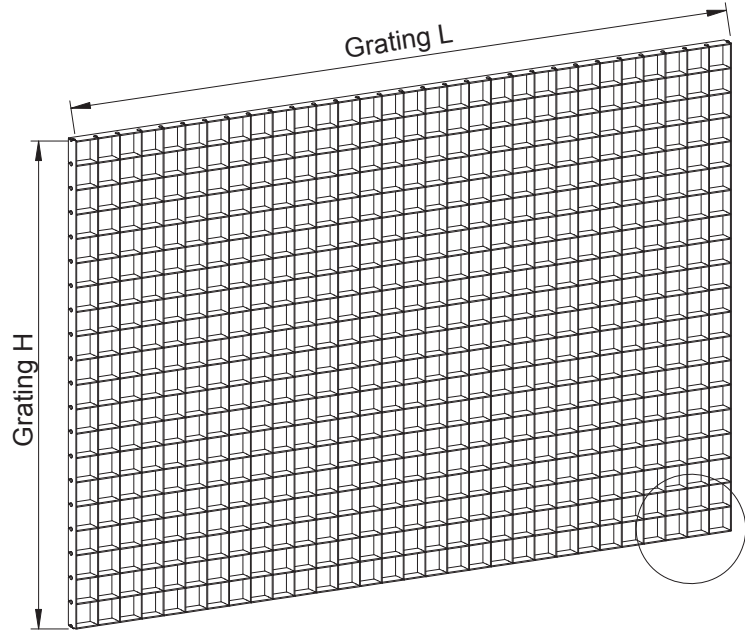


RRAT square grating with cutted ends.  
 Same size flat bars on L and H directions.  
 Spacings:  
 L- and H-direction equal, standard 20, 25, 30, 40, 50, 60,  
 75, 90 and 120

Standard flat bars:  
 50x2  
 40x2  
 30x2  
 20x2


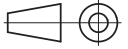
 <small>Pakkasrätti 14 04360 Tuusula        Tel.+358 (0)20 7421 700        etunimi.sukunimi@alupro.com        www.alupro.com</small>	 Mittakaava Scale 1:15 A4	Tuote Product <b>Square grating</b>	Piirtänyt Drawn by <b>HRi</b>
	Nimi Name <b>RRAT cutted</b>	Materiaali Material <b>Aluminium</b>	Pvm. piirretty Date created <b>30.1.2013</b>

Grating dimensioning:  
 L-direction max.3000 when H ≤ 1400 otherwise 2400.  
 H-direction max 1400 when L ≥ 2400 otherwise 1600.

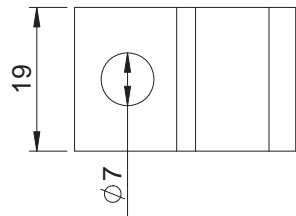
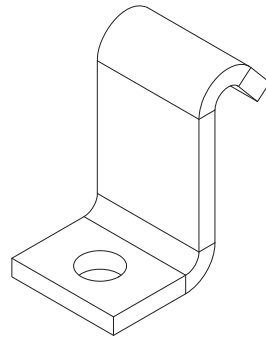
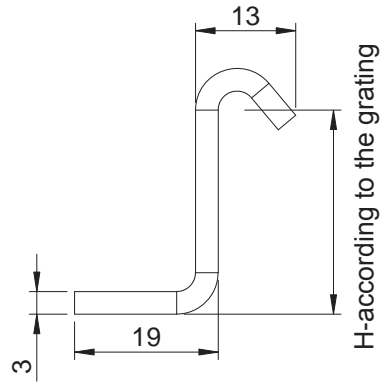


RRAT square grating with welded ends.  
 Same size flat bars on L and H directions.  
 Spacings:  
 L- and H-direction equal, standard 20, 25, 30, 40, 50, 60,  
 75, 90 and 120

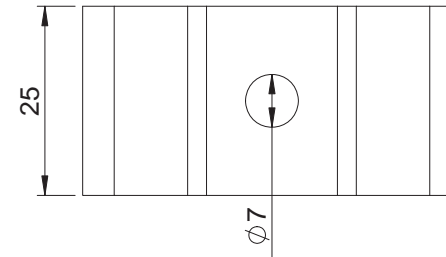
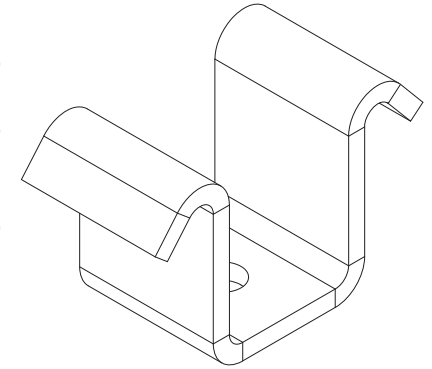
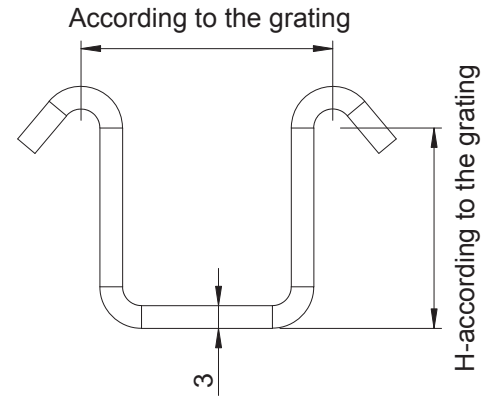
Standard flat bars:  
 50x2  
 40x2  
 30x2  
 20x2


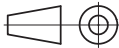
 Pakkaraaräti 14 04360 Tuusula Tel.+358 (0)20 7421 700 etunimi.sukunimi@alupro.com www.alupro.com	 Mittakaava Scale 1:15 A4	Tuote Product <b>Square grating</b> Nimi Name RRAT welded Materiaali Material Aluminium	Piirtänyt Drawn by <b>HRI</b> Pvm. piirretty Date created 30.1.2013 Pintakäsittely Surface finish Powder painting or anodizing

### Type 1 Standard bracket



### Type 2 Double bracket



 <p><b>ALUPRO</b> Pakkasratti 14 04360 Tuusula Tel. +358 (0)20 7421 700 etunimi.sukunimi@alupro.com www.alupro.com</p>		Mittakaava Scale 1:1 A4	Tuote Product Bracket	Piirtänyt Drawn by HRi
	Nimi Name Square grating bracket	Materiaali Material Aluminium	Pvm. piirretty Date created 15.1.2013	Pintakäsittely Surface finish Powder painting or anodizing